

brand	ERMA
-------	-------------

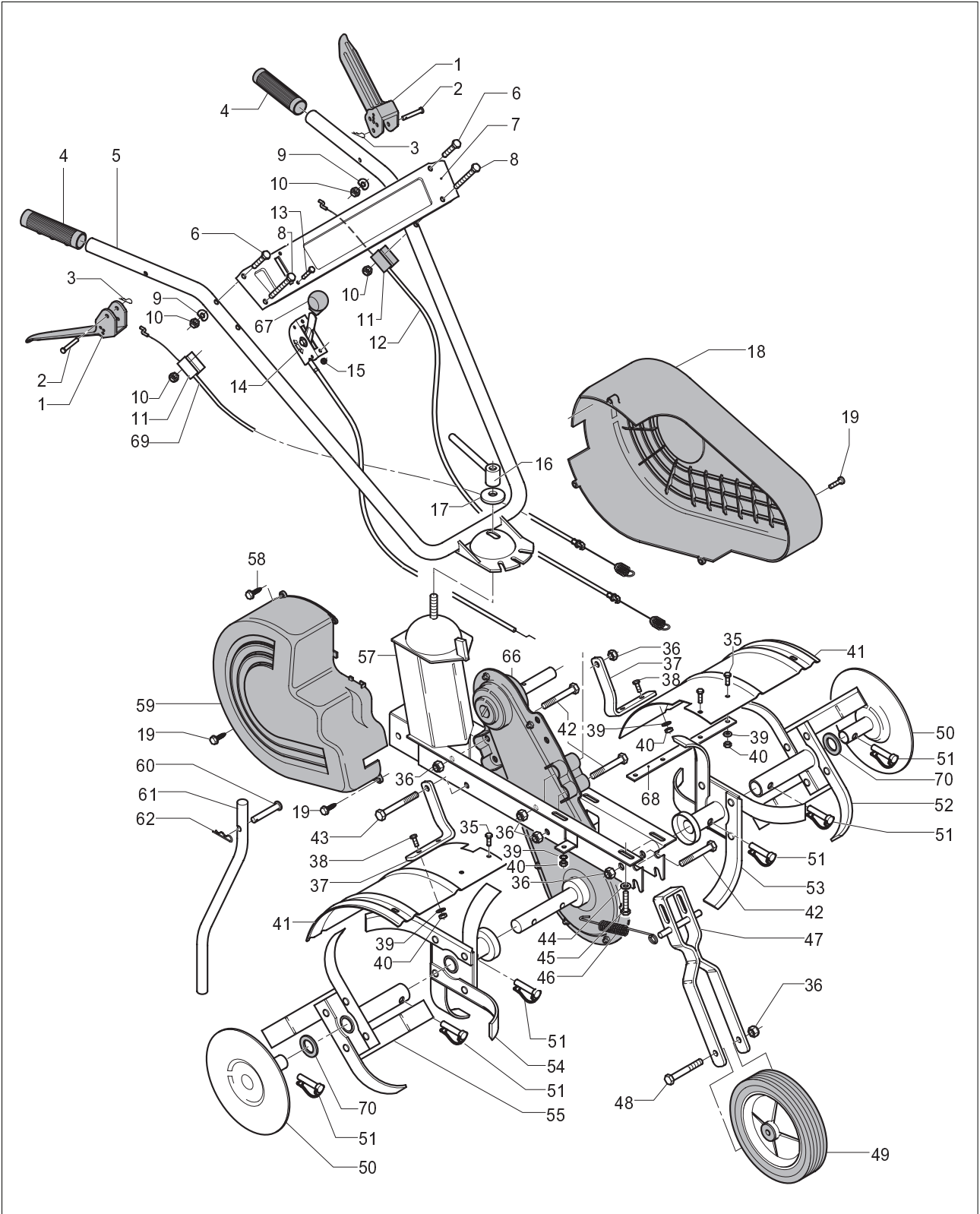
date	MAR/03	SHEET 1/4
------	--------	-----------

Model

JET 50R

Product number

953875152



brand	ERMA
-------	------

date	MAR/03	SHEET 2/4
------	--------	-----------

Model

JET 50R

Product number

953875152

Pos.	PN ELX	PN MEP	DESCRIPTION	Q.ty	NOTE
1	531205422	10128683	clutch lever	2	
2	531207409	10651400	pin	2	
3	531207408	10651300	cotter pin	2	1.1x17
4	531207131	10500033	sheating	2	
5	531207573	10685002	handle	1	er
6	531207441	10655200	screw	2	TE M6x40 UNI 5737-8,8-ZB
7	531207518	10679703	dash-board	1	
8	531205011	10118600	screw	2	TE M6x50 UNI 5737-8.8 ZN
9	531204961	10115900	washer	2	6,5E
10	531208491	20281800	nut	4	M6H8UNI7473-ZB
11	531208043	20121983	cable bearing	2	
12	531207566	10684600	clutch cable	1	
13	531207270	10547300	screw	2	TE M5x12 UNI 5739-8,8-ZB
14	531207109	10425200	accelerador	1	honda1040/60
15	531208661	20501380	nut	2	M5 H5 UNI5587-6S ZB
16	531207508	10673700	lever	1	
17	531207509	10674100	washer	1	
18	531207544	10682603	housing	1	
19	531207120	10427400	screw	4	TE FRTC4,8x13
35	531208660	20501370	screw	4	TE M6x20 UNI 5739-8,8-ZB
36	531207161	10501160	nut	5	M10 H12 UNI7473-ZB
37	531207420	10652303	bearing	2	
38	531208769	20655100	screw	2	TE M6x16 UNI 5739-8,8-ZB
39	531208499	20286606	washer	6	D.6E
40	531207165	10501200	nut	6	M6 H6 UNI 5587-6S-ZB
41	531207536	10682001	housing	2	
42	531207416	10652000	screw	3	TE M10x75 UNI 5737-8,8-ZB
43	531207511	10677400	screw	1	TE M10x85 UNI 5737-8,8-ZB
44	531204922	10114200	washer	8	8x16x1,5 ZB
45	531207044	10390800	screw	4	TE M8x40 UNI 5737-8,8-ZB
46	531207562	10684100	spring	1	
47	531207545	10682903	plate	1	
48	531207576	10685200	screw	1	TE M10X80 UNI 5737-8.8ZB
49	531207583	10685903	wheel	1	D.200/40
50	531207476	10660003	side disk	2	
51	531208634	20500910	pin with spring	6	
52	531207464	10658603	external left star	1	
53	531207507	10673403	inner left star	1	
54	531207506	10673303	inner right star	1	
55	531207463	10658503	external right star	1	
57	531207560	10683902	deck	1	er
58	531208216	20135720	screw	1	TCTC2FD5x16AC
59	531207529	10681903	housing	1	SX
60	531207406	10651100	pin	1	
61	531207550	10683700	rod	1	
62	531208657	20501290	cotter pin	1	D.2
66	531207516	10679303	reducer	1	Z.8/Z.40
67	531206970	10303403	knob	1	
68	531207600	10687803	rod	1	
69	531207565	10684500	cable	1	
70	531211004	10690423	washer	2	SBR D38X24,5X10

brand	ERMA
-------	-------------

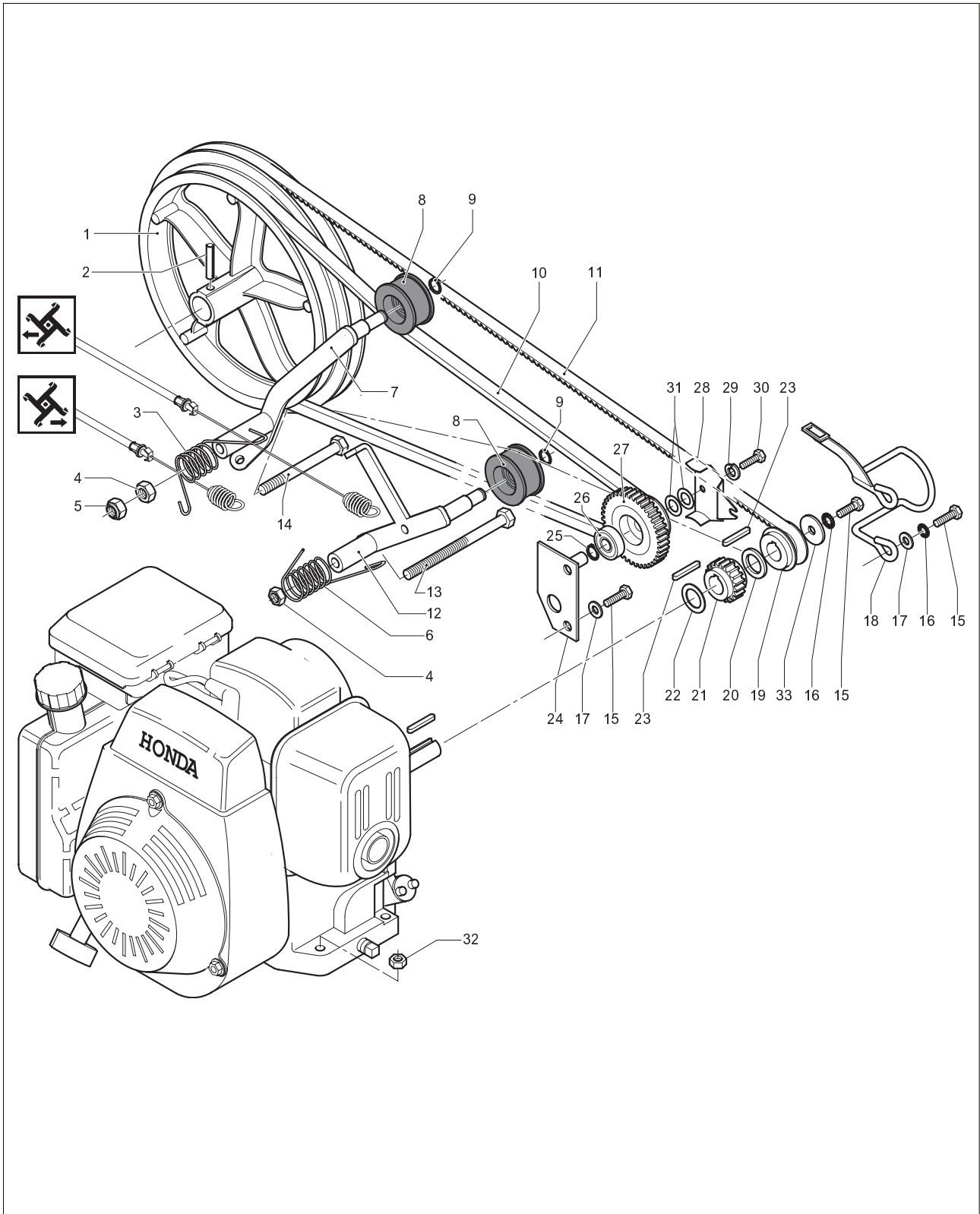
date	MAR/03	SHEET 3/4
------	--------	-----------

Model

JET 50 R

Product number

953875152



brand	ERMA
-------	-------------

date	MAR/03	SHEET 4/4
------	--------	-----------

Model

JET 50R

Product number

953875152

Pos.	PN ELX	PN MEP	DESCRIPTION	Q.ty	NOTE
1	531207488	10670100	pulley	1	D.272
2	531208404	20228214	resilient pin	1	D.6x40
3	531207564	10684300	cutter-tightener spring	1	
4	531207978	20101700	nut	2	M10 H8 UNI 5588-6S ZB
5	531207161	10501160	nut	2	M10 H12 UNI7473-ZB
6	531207563	10684200	cutter-tightener spring	1	
7	531207524	10681200	belt stretcher	1	
8	531204430	09128633	pulley	2	
9	531208772	20655800	seeger	2	D.12E DIN 471
10	531207431	10654400	belt	1	AX 45 (13x8.5) 1143 K
11	531207510	10674600	belt	1	Z40
12	531207522	10680700	belt stretcher	1	
13	531207426	10653700	pin	1	M10x130x88 SPEC
14	531205005	10118000	screw	1	TE M10x100 UNI5737-8.8ZN
15	531207430	10654300	screw	5	TE 5/16'UNF x 5/8'(=16mm)
16	531207981	20106200	washer	3	D.8E DIN 6798
17	531204922	10114200	washer	4	8x16x1,5 ZB
18	531207578	10685400	belt slide	1	
19	531207503	10671900	pulley	1	D.45
20	531207594	10687000	spacer	1	D.19,5/30/4
21	531207586	10686100	crown gear	1	Z19
22	531206725	10300160	spacer	1	ITT 20,2x30x1
23	531207432	10654500	key	2	4,75x4,75x23 UNI 92
24	531207585	10686000	fixture plate	1	
25	531207524	10681200	belt stretcher	1	
26	531208765	20654000	ball-bearing	2	6201/2RS
27	531207587	10686200	crown gear	1	
28	531207589	10686400	bearing	1	
29	531207595	10687100	washer	1	D.6
30	531208612	20480900	screw	1	TE M6x12 UNI 5739-8,8-ZB
31	531207588	10686300	spacer	2	D.12.5/21/0.5
32	53128599	20404900	nut	4	M8
33	531205552	10135380	washer	1	8x30x3ZP